

1

2

3

4

5

6

7

8

A

CUSTOMER ----

PROJECT ----

SYSTEM DESCRIPTION ----

B

C

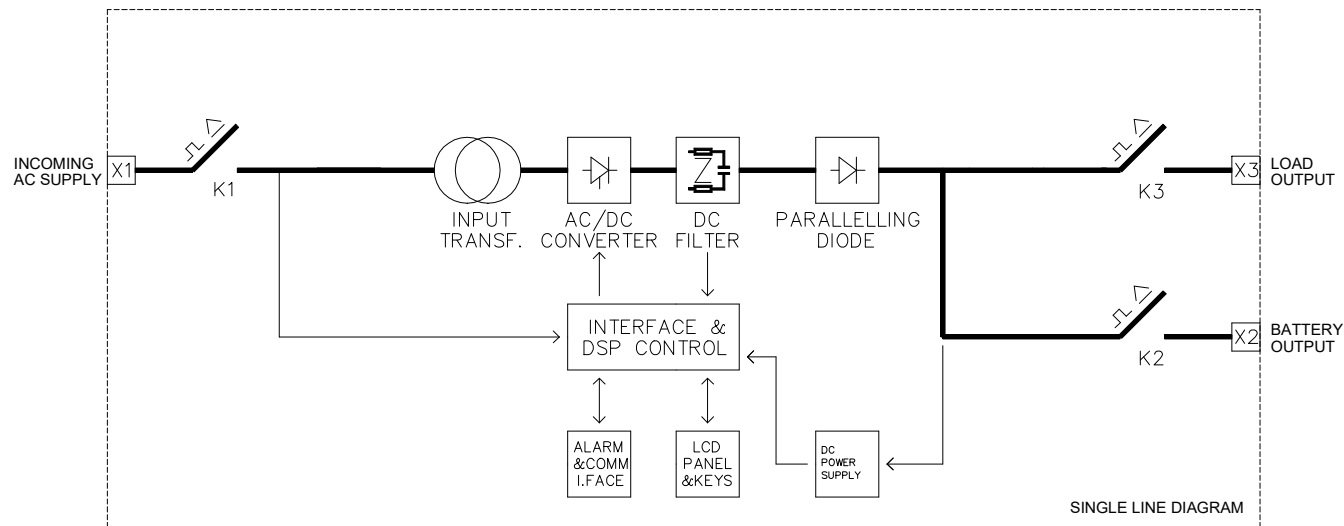
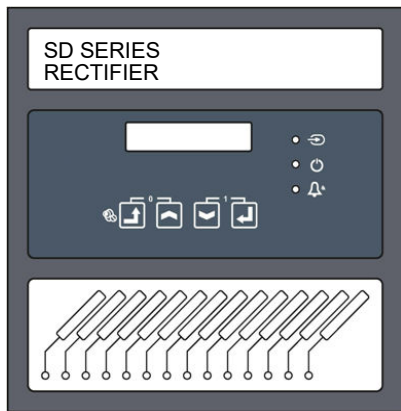
D

E

F

G

H



NOTES

-----

-----

-----

-----

-----

-----

-----

-----

-----

-----